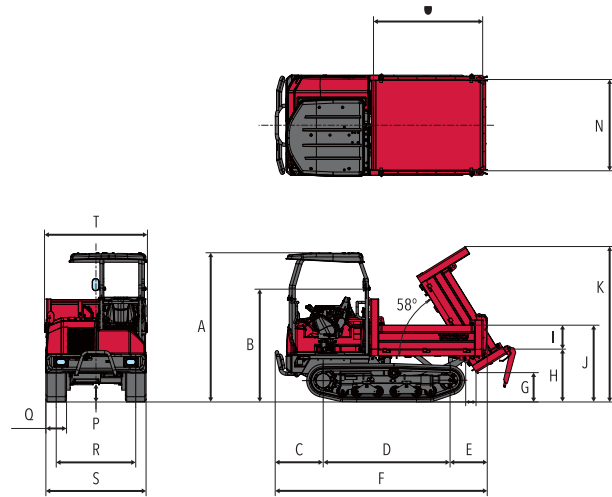


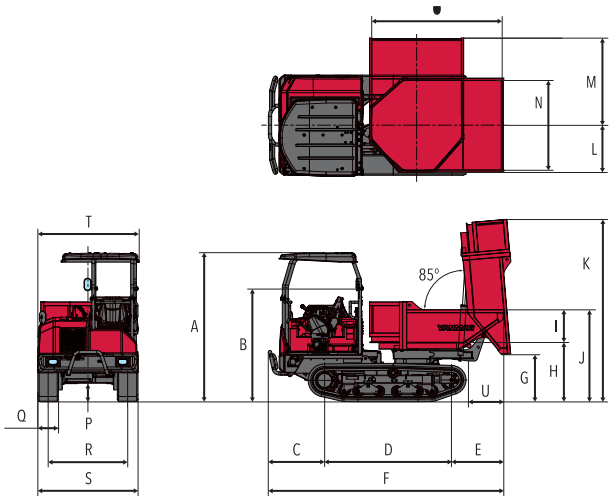
C30R-3

Dimensions - C30R-3 One Way Dump

Three-way Dump Vessel



Swivel Dump Vessel



Specifications

MM																					
	A	B	C	D	E	F	G	H	I	J	K	L	M	N	O	P	Q	R	S	T	U
Three-way Dump Vessel type	2,310	1,745	740	1,960	580	3,280	455	820	370	1,190	2,405	-	-	1,410	1,685	265	320	1,230	1,550	1,590	180
Swivel Dump Vessel type			870		810	3,640	730	920	505	1,425	2,820	730	1,350	1,390	2,010	280				1,565	545

FT, IN																					
	A	B	C	D	E	F	G	H	I	J	K	L	M	N	O	P	Q	R	S	T	U
Three-way Dump Vessel type	7'7"	5'9"	2'5"	6'5"	1'11"	10'9"	1'6"	2'8"	1'2"	3'10"	7'10"	-	-	4'8"	5'6"	10"	10'6"	4'0"	5'1"	5'2"	7"
Swivel Dump Vessel type			2'10"		2'8"	11'11"	2'5"	3'0"	1'8"	4'8"	9'3"	2'5"	4'5"	4'7"	6'7"	11"				5'1"	1'9"

Model	C30R-3	
Dump vessel type	One-way dump type	Swivel-dump type
Shape of Vessel	Box-shape	V shape
Operating Weight	Net, unloaded	lbs (kg)
Engine	Type	-
	Model	-
	Output	HP (kW)
Transmission	-	-
Undercarriage	Track Type	-
	Track Width	ft-in (mm)
	Min. Ground Clearance	ft-in (mm)
	Ground Contact Pressure	w/o load PSI (kPa)
		w/ load PSI (kPa)
Performance	Max. Payload	lbs (kg)
	Max. Dumping Angle	degrees
	Dump Clearance	ft-in (mm)
	Dump Body Capacity	Struck yd³ (m³)
		Heaped yd³ (m³)
	Travel Speed	Forward mph (km/h)
		Reverse mph (km/h)